



International Quality Iron Castings

J O B B I N G F O U N D R Y

GREY, ALLOY IRON CASTINGS

S.G. (Ductile) IRON CASTINGS


90 years &
ing Strong
Estb. 1933

ENGINEERING FOR EXCELLENCE



Isgec Corporate Office at Noida, a suburb of New Delhi, India

- Isgec Iron Foundry is a unit of Isgec Heavy Engineering Ltd., a public company with a diversified product portfolio and customers spread across 90 Countries.
- Castings conforming to International standards including EN, DIN, GOST, BS, JIS, ASME
- Single piece casting weighing upto 20 MT
- Modern Pattern Shop equipped with pattern and casting scanning facility
- Capability for Full Mould Process Castings (Lost Foam)
- Capability to offer fully machined Castings
- Hydro test of Castings upto 10 Kg /sq. cm.
- Can offer equipment under third party inspection by International agencies including Lloyds, TUV, SGS, BVQI, TPL
- Accredited with ISO-9001: 2015 (LRQA), ISO 14001:2015 & ISO 45001:2018
- Major exporter of soda ash castings to European and Russian markets

Major Customers

Soda Ash Sector

Bashkir Soda Company, Russia
 Crimean Soda, Russia
 Gujarat Heavy Chemicals Ltd.
 Nirma Ltd.
 Saurashtra Chemicals Ltd. (SAUKEM)
 Solvay Chemicals, Spain / France / Bulgaria / Germany / Italy
 Tata Chemicals Ltd.
 RSPL (Ghari Detergent)

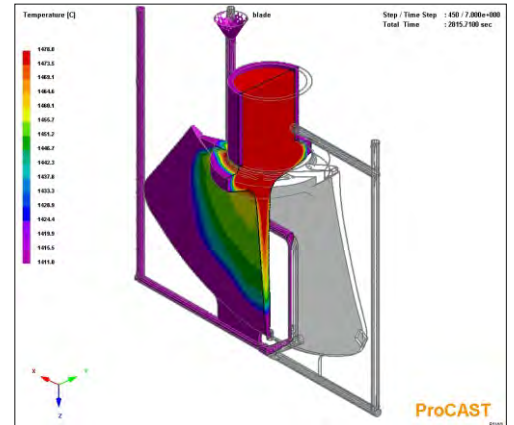
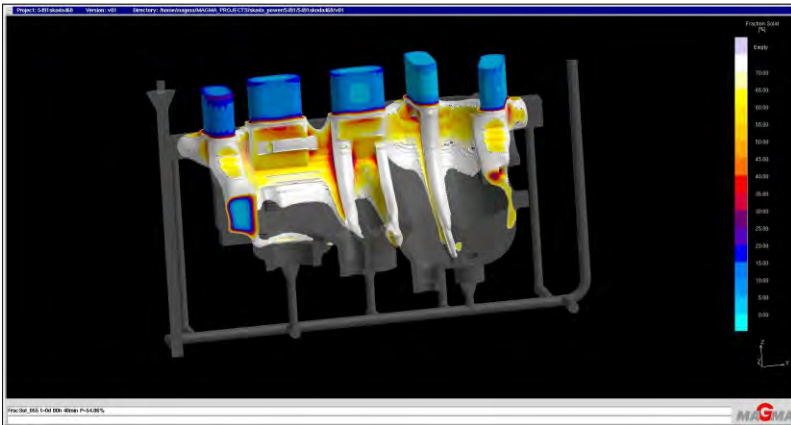
Other Sectors

(Pump & Compressor, Tool & Die, Machine Tools, Chemical & Dye Stuff, Steel Plant, Paper & Miscellaneous Equipment)

KBL Ltd.	Danieli Corus India Pvt. Ltd.	Steel Authority India Ltd.
Wilo Pumps	Primetal Technologies	Hirotec India
Xylem Water Solutions Ltd.	Nippon Steel Engineering	Valmet Paper Technologies, Finland
Bharat Heavy Electricals Ltd. (BHEL)	Mahindra & Mahindra Ltd.	Milacron India
Siemens Energy (D-Rand)	Jai Bharat Maruti Group	Triveni Group
Tata Motors Ltd.	Nagata India Ltd.	Advance Valve
Honda Motors	Bharat Fritz and Werner Ltd.	KHD Humboldt Wedag
Maruti Suzuki Ltd.	Atul Group	Fouress Engineering Ltd.

Technology

- Flow & Thermal Analysis / Simulation using MAGMASOFT & PROCAST



Quality Control

- 25 Channel Spectrometer
- Computerised carbon equivalent determinator for instant checking of carbon & silicon in liquid metal
- Image Analyser 1000 X
- A well equipped chemical lab for wet analysis of elements C, Mn, S, P, Si, Mo, Cr, Ni etc.
- Ultrasonic Test Facility
- Magnetic Particle Test Facility
- Dye Penetration Test Facility
- Radiography up to 200mm thickness (Iridium & Cobalt source)
- Qualified NDT Personnel (Level II & III)



Soda Ash Industry



Carbonation Towers



Bottom Intermediate Casting



Passate Casting

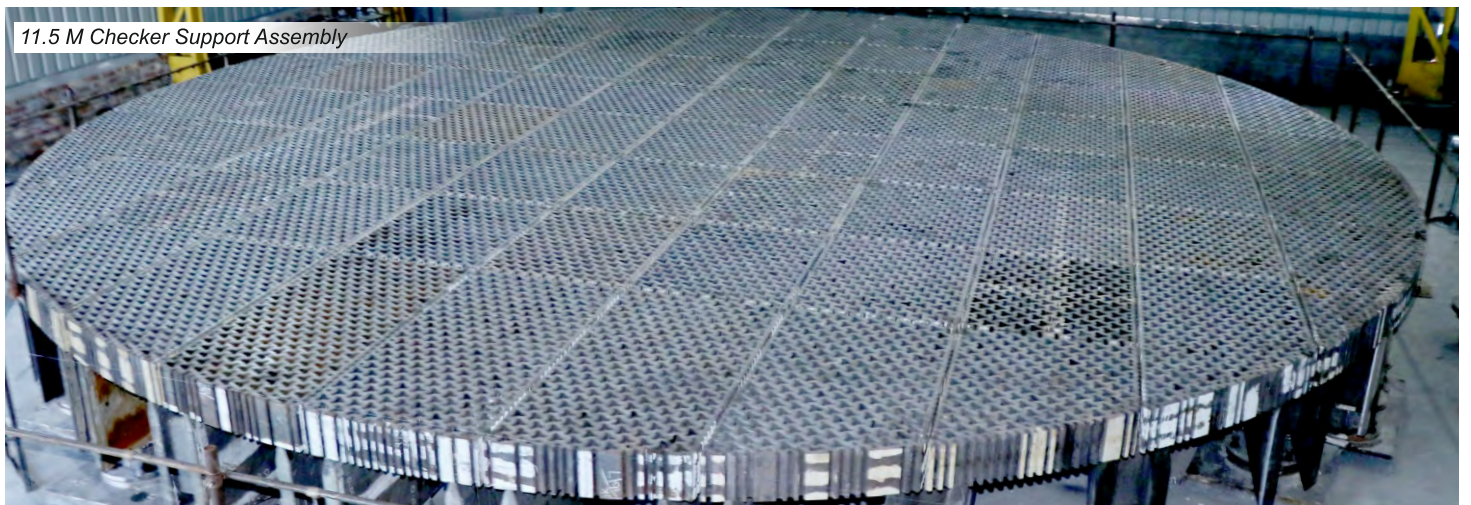
Cement, Power and Paper Industry



Bearing Housing Casting for a Turbine



Casing Casting for Blower



11.5 M Checker Support Assembly

Pump & Compressor Industry



Suction Bell Casting



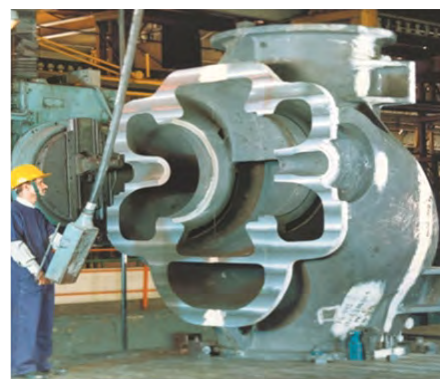
Diffuser Casting



Frame Casting for Compressor



Cylinder Casting for Compressor



Horizontal Split Pump Casing Casting



Compressor Housing

Full Mould Castings-Polystyrene Patterns (Machine Tool Industry)



Machine Tool Casting

Manufacturing Capabilities (1200 MT / Month)

Weight Range - Grey & Alloy Iron	:	500 Kgs to 20MT
Weight Range - Ductile Iron (SG)	:	300 Kgs to 10MT
Maximum Size	:	6M x 6M x 2M
Area Under Crane	:	21500 Sq.M
EOT Cranes	:	11 Nos.
Max. Lifting Capacity	:	30 MT

Melting

Induction Furnace	:	8 MT (Dual Track)
Induction Furnace	:	6 MT (Dual Track)
Induction Furnace	:	3 MT (Single Track)

Heat Treatment Facility

Heat Treatment Furnace (3 nos)	:	11 M x 4.3 M x 4 M
--------------------------------	---	--------------------

Machining

Horizontal Boring Machines - 15 Nos.

Maximum Ram Size	:	550 mm x 550 mm
Maximum Size (X x Y x Z)	:	16 M x 4.5 M x 2.4 M

Plano Millers - 3 Nos.

Table Size	:	6000 mm x 3000 mm
Clear Height	:	3000 mm

CNC Drilling Machines - 3 Nos.

Maximum Thickness	:	300 mm
-------------------	---	--------

Moulding

a) Continuous Sand Mixer	30 MT/hour Capacity	1 Set
	20MT/hour	3 Set
b) Sand Reclamation Plant	10 MT/hour	1 Set
	6 MT/hour	1 Set
	5 MT/ hour	1 Set

Pattern Making

Well equipped Shop for Wood / Polyesterene / Metallic patterns.
Sufficient space for storage of customer supplied patterns.

Grit & Shot Blasting

Room size (2 nos)	:	10 M x 7 M x 6 M
-------------------	---	------------------

CNC Turning Lathes - 5 Nos.

Swing Over Bed	:	Max. 950 mm
Admit Between Center	:	Max. 5000 mm

CNC Milling Machines - 4 Nos.

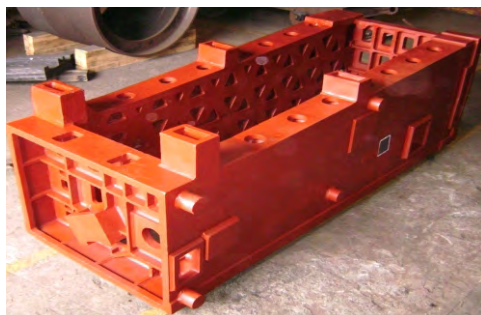
Maximum Size (X x Y x Z)	:	9.5 M x 1 M x 3 M
--------------------------	---	-------------------

Vertical Boring Machines - 2 Nos.

Table Dia.	:	3 M
Swing	:	5.3 M
Height of Job	:	2.7 M
Load Capacity	:	40 MT



Full Mould Castings-Polystyrene Patterns (Machine Tool and Tool & Die Industry)



Bed Casting for Machine tool



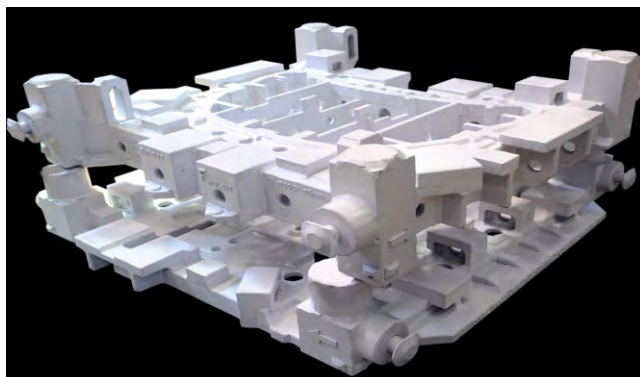
Tool & Die Casting



Casting for Tool & Die



Casting for Tool & Die



Casting for Tool & Die

Other Offerings by Isgec

MANUFACTURING

Presses • Process Equipment • Castings • Boiler Manufacturing & Piping • Liquefied Gas Containers • Contract Manufacturing • Skids



Hydraulic & Mechanical Presses



Critical Process Equipments



Castings for Steel Plants



Boiler Pressure Parts



Piping Spools



Skids & Modules



Liquefied Gas Containers



Tantalum Bayonet Exchanger

ENGINEERING, PROCUREMENT & CONSTRUCTION

Boilers • Sugar Plants & Distilleries • Power Projects • Air Pollution Control Equipment & Projects • Industrial Waste Water Treatment Projects
Bulk Material Handling Equipment & Projects • Civil Construction including Factories



Industrial Boilers



Sugar Plants & Machinery



Distilleries



Captive Power Plants



Bulk Material Handling



Electrostatic Precipitators (ESP)



**ISGEC HEAVY
ENGINEERING LTD.**

Sales Office & Foundry
Yamunanagar - 135 001 (Haryana) India

Contact Person

Sanjib Chatterjee Tel.: +91-89301 11612 Email: foundry@isgec.com
Hargopal Arora Tel.: +91-89301 11635 Email: foundry_marketing@isgec.com

Corporate Office

A-4, Sector 24, Noida (U.P.) India

www.isgec.com